

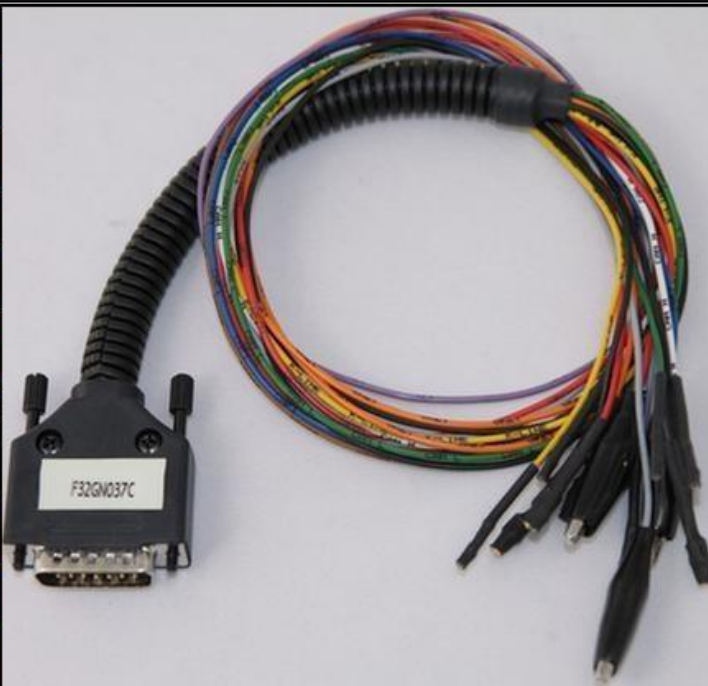
## MITSUBISHI MH8102F E6T32xxx MITSUBISHI

plugin **1038**

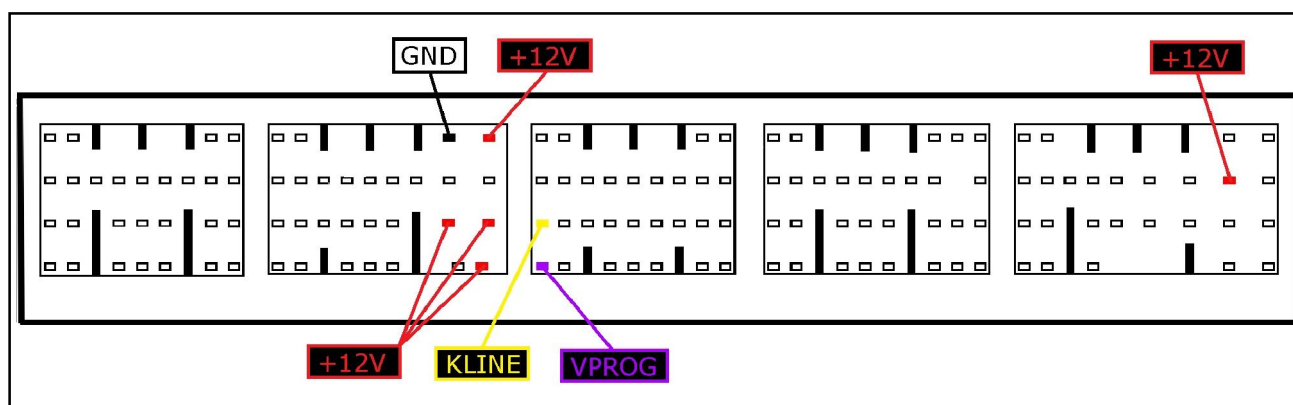
### DIRECT CONNECTION

In order to connect to the ECU use the CABLE F32GN037C.  
Make sure that the POWER led (red) on Trasdata is ON.

COLORE FILO WIRE COLOUR	DESCRIZIONE DESCRIPTION
<span style="color: red;">■</span> ROSSO RED	POSITIVO DIRETTO POWER BATTERY
<span style="color: orange;">■</span> ARANCIO ORANGE	POSITIVO SOTTO QUADRO POWER SWITCH ON
<span style="color: black;">■</span> NERO BLACK	MASSA GND
<span style="color: yellow;">■</span> GIALLO YELLOW	KLINE
<span style="color: green;">■</span> VERDE GREEN	CAN LOW
<span style="color: white;">■</span> BIANCO WHITE	CAN HIGH
<span style="color: grey;">■</span> GRIGIO GREY	POL4 BOOT
<span style="color: blue;">■</span> BLU BLUE	POL5 CNF1
<span style="color: purple;">■</span> VIOLA/GRIGIO PURPLE/GREY	TENSIONE PROG. PROG. VOLTAGE
<span style="color: brown;">■</span> MARRONE BROWN	RESET



### ECU CONNECTOR



To the power feeding pins +12V you can connect both wires red (VECU) and orange (VKEY) of the F32GN037C cable, they both have 12V signal.